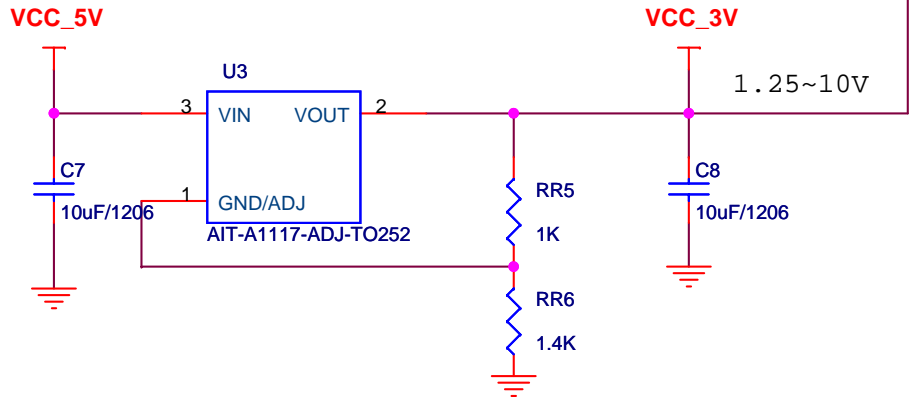
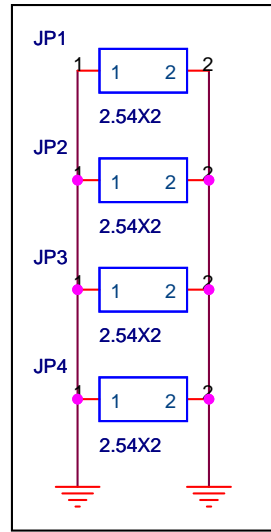
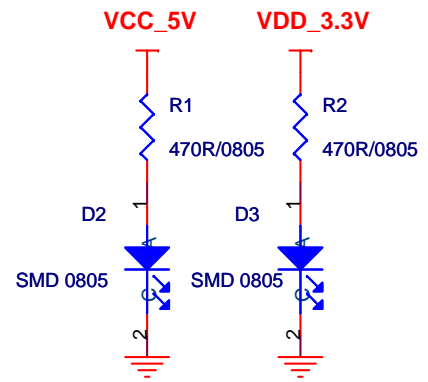
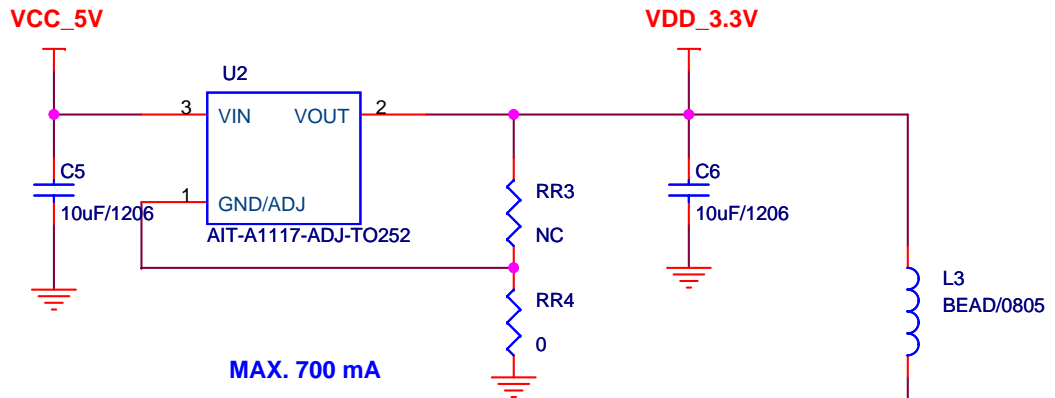
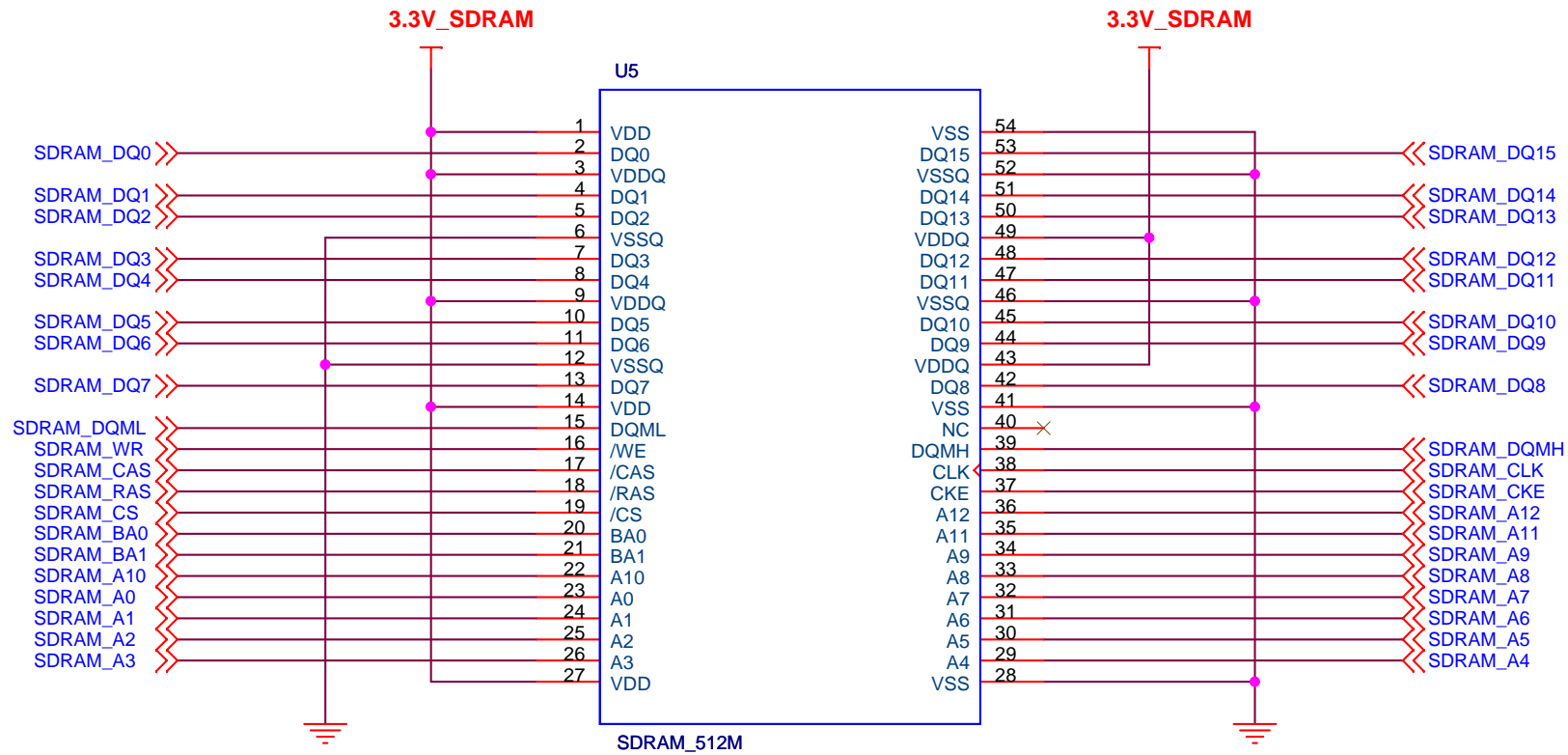
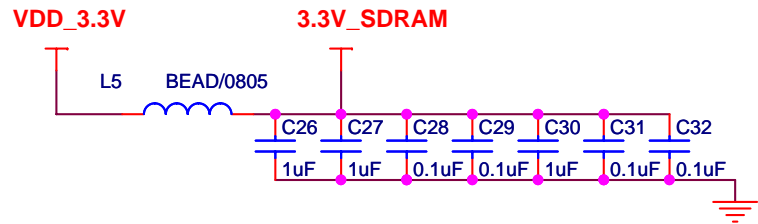


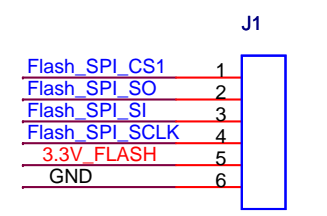
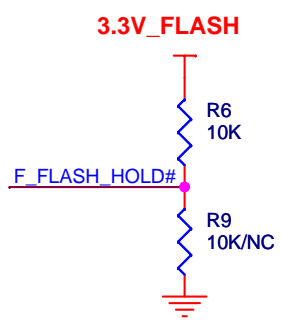
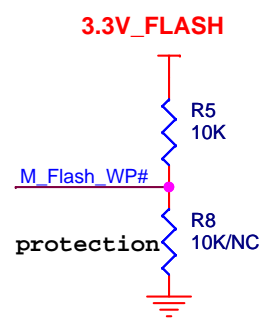
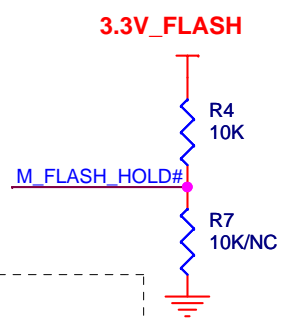
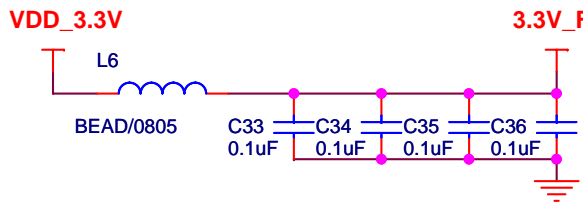
分布板子四邊



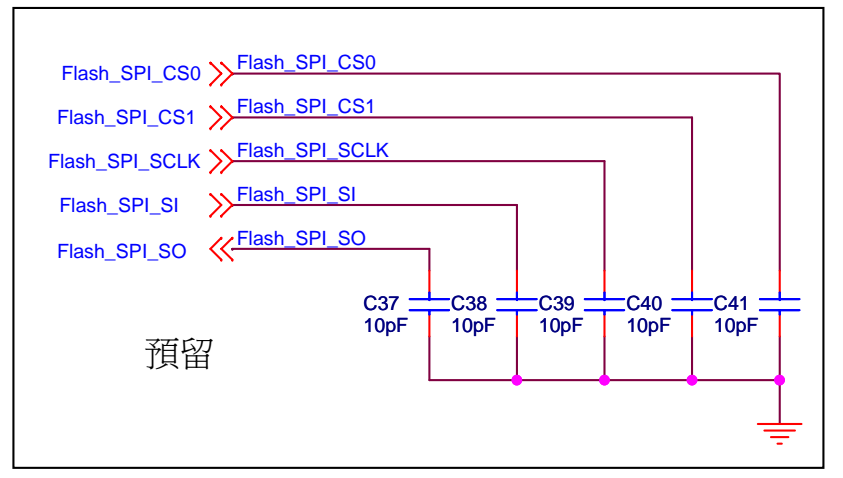
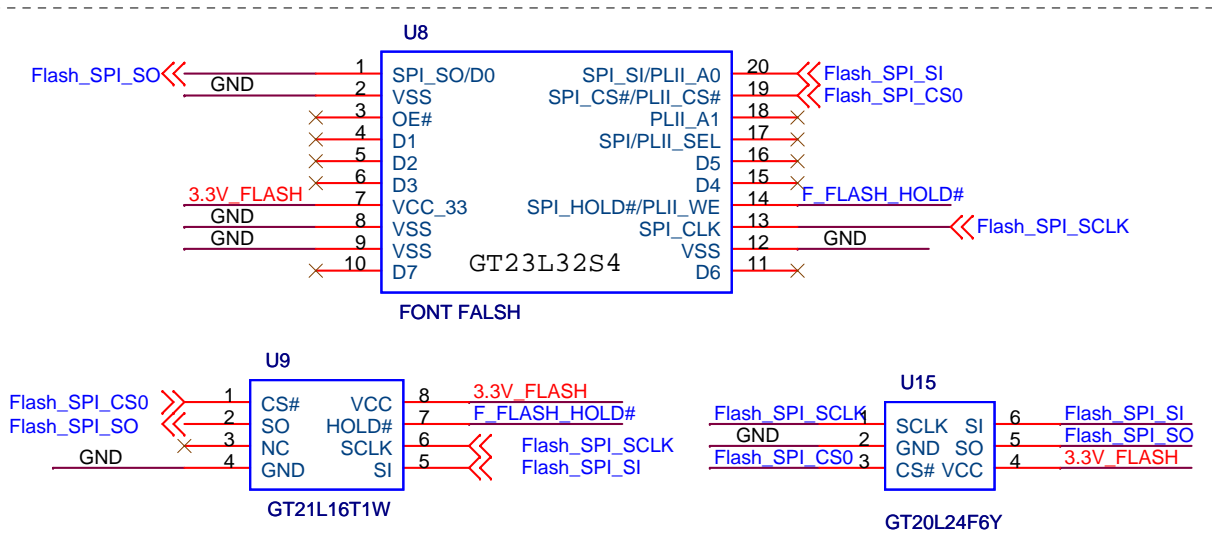
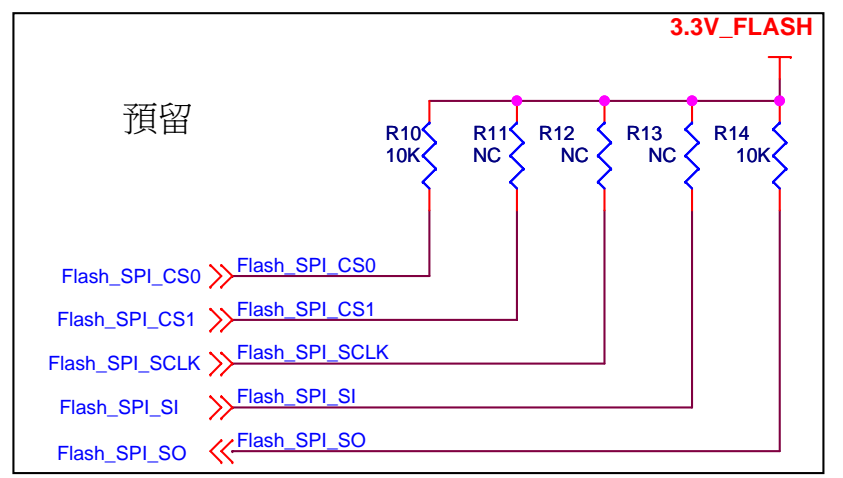
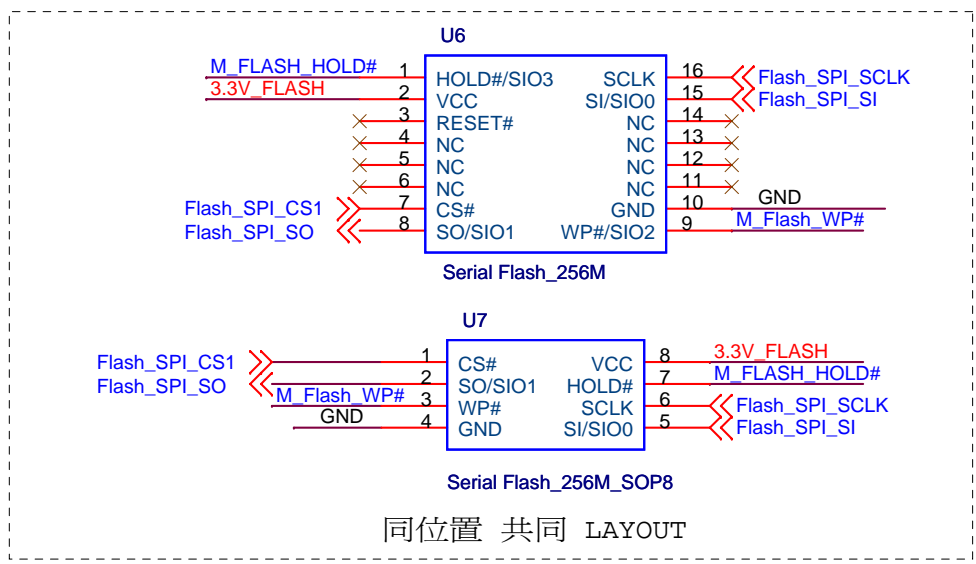
RA8873_B_Demo Board		
Size A	Document Number 01_RA8873_VCC	Rev A
Date:	Wednesday, April 06, 2016	Sheet 1 of 8



RA8873_B_Demo Board		
Size A	Document Number 03_RA8873_SDRAM	Rev A
Date: Wednesday, April 06, 2016	Sheet 3 of 8	

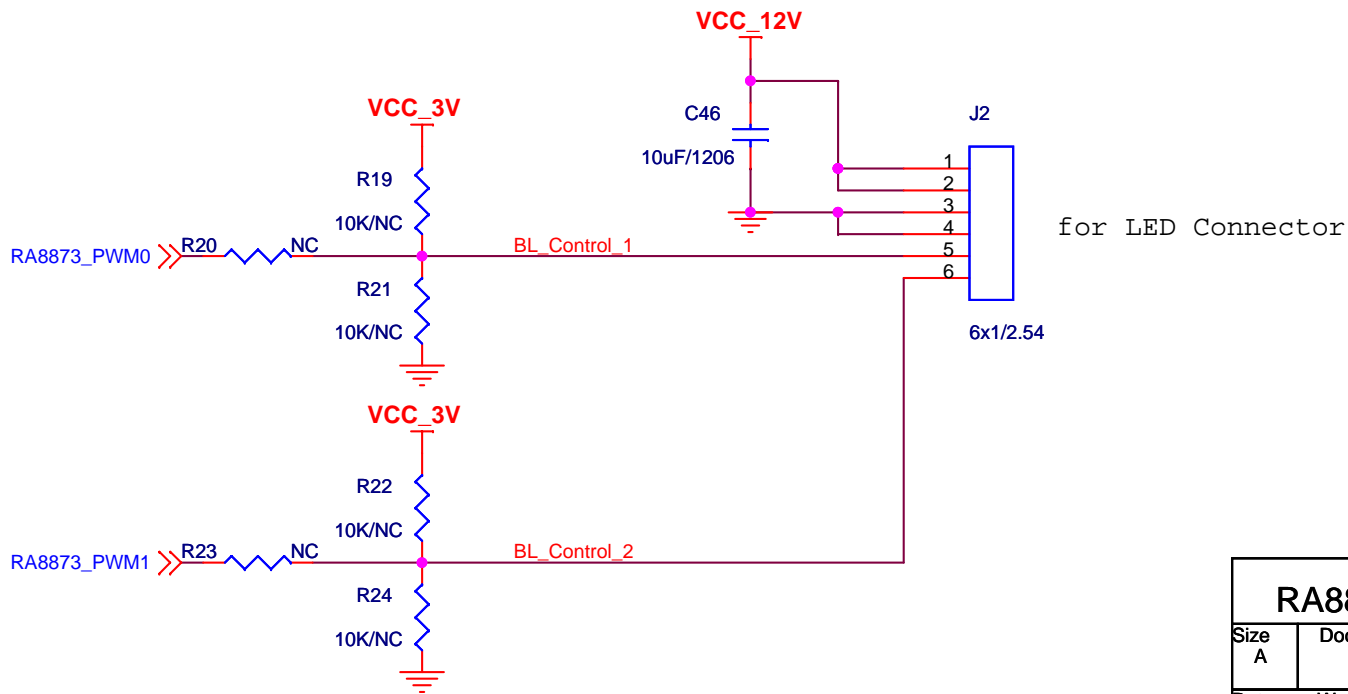
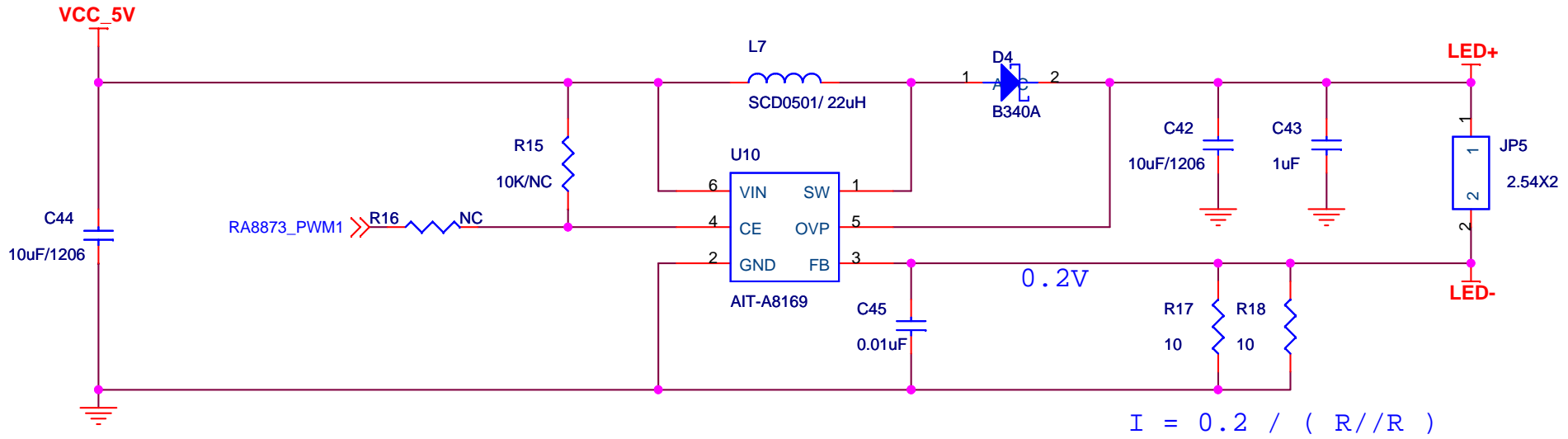


External Programming Port
2.54/6x1



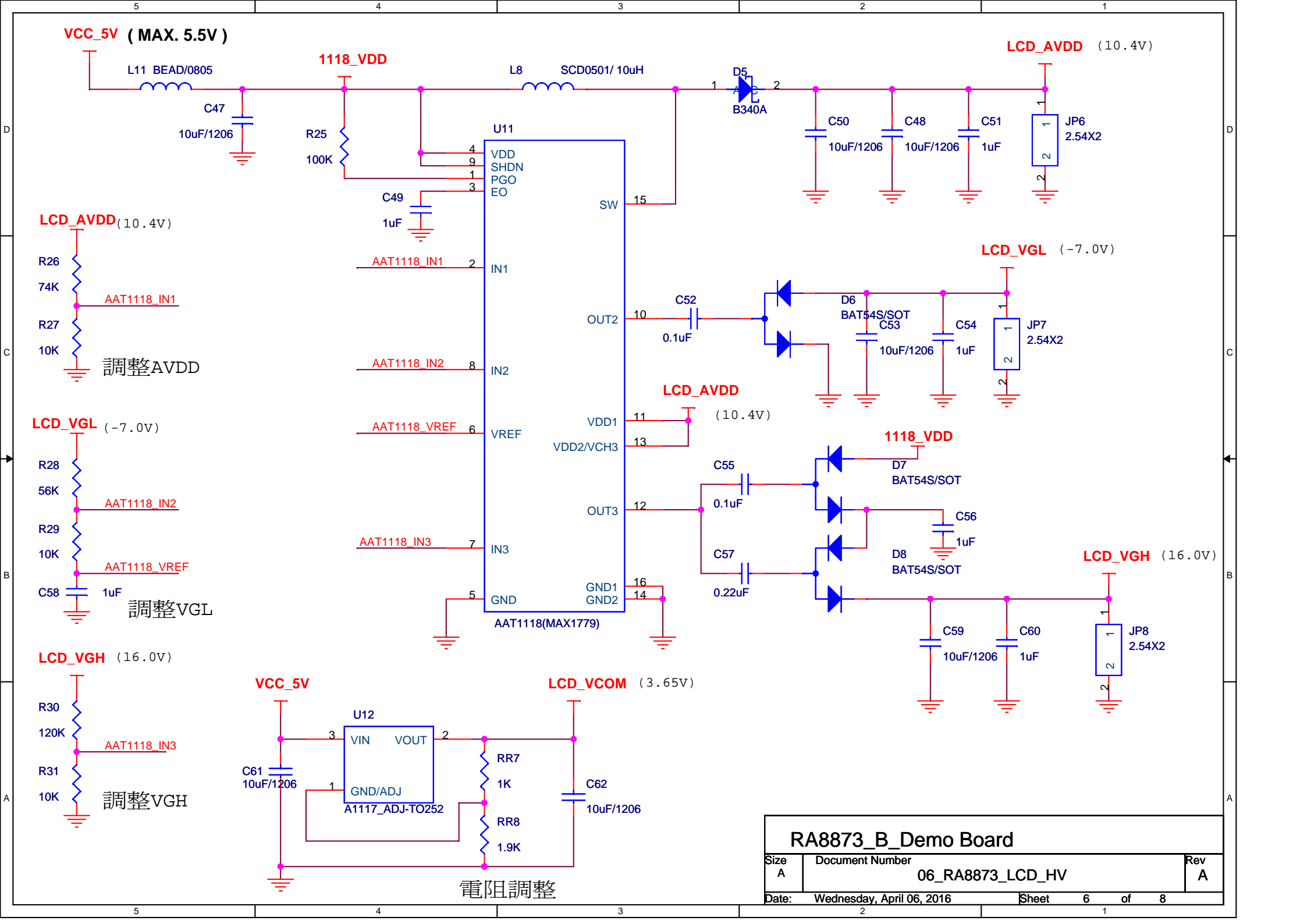
RA8873_B_Demo Board		
Size A	Document Number 04_RA8873_Flash	Rev A
Date:	Wednesday, April 06, 2016	Sheet 4 of 8

(MAX. 6.0V)

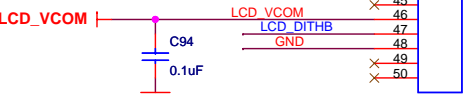
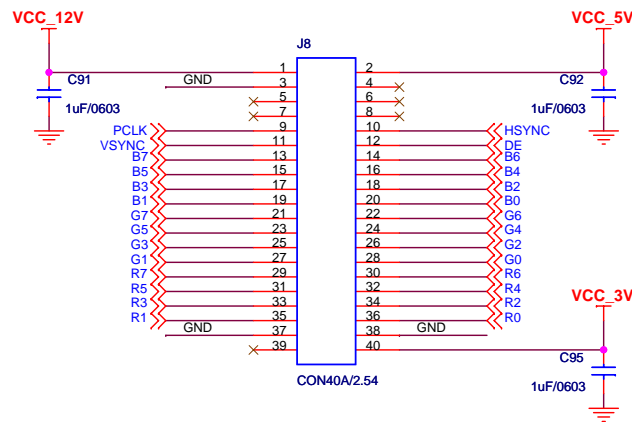
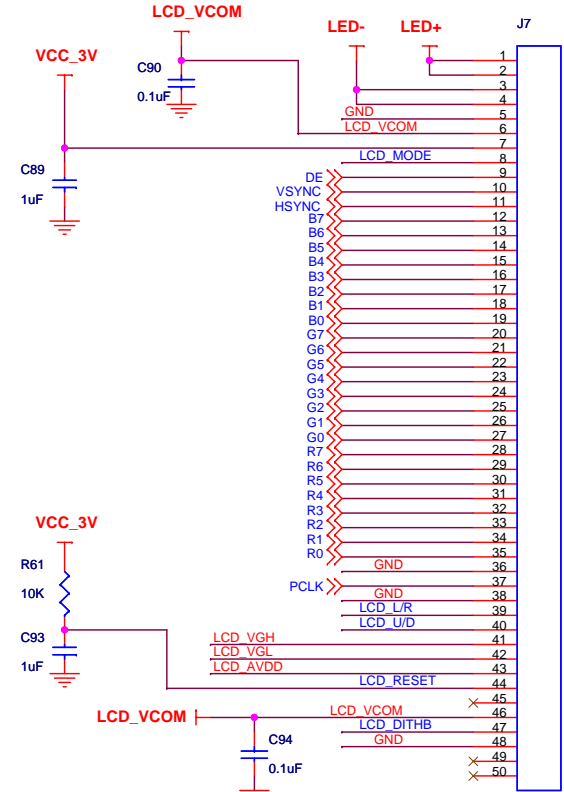
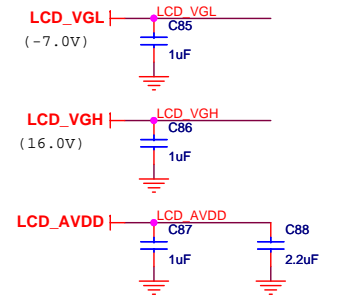
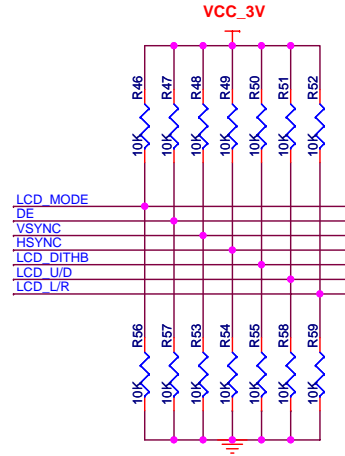
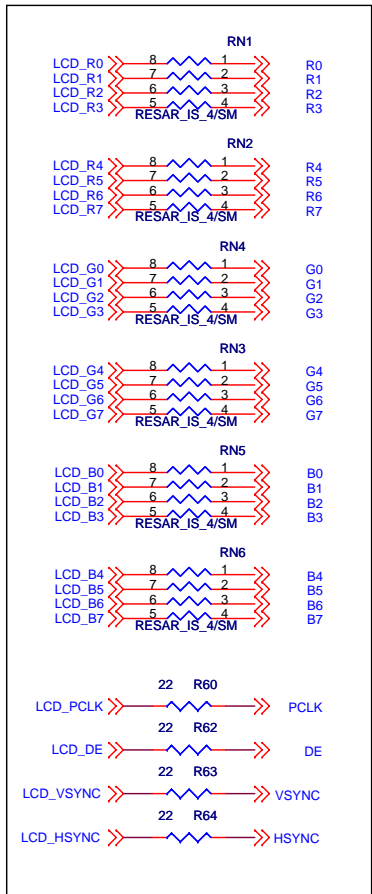


RA8873_B_Demo Board

Size A	Document Number 05_RA8873_LCD_BL	Rev A
Date: Wednesday, April 06, 2016		Sheet 5 of 8

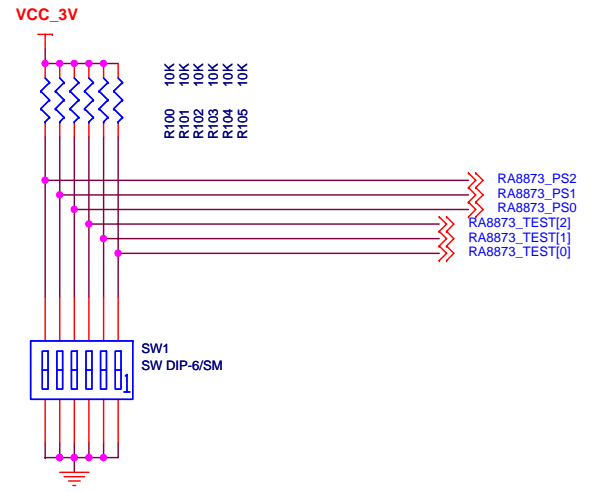
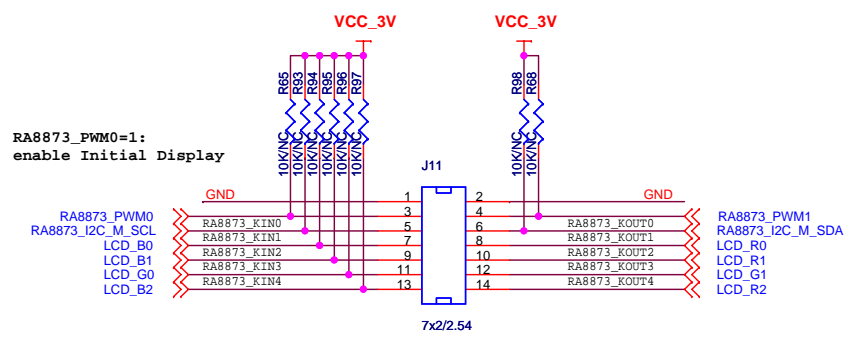
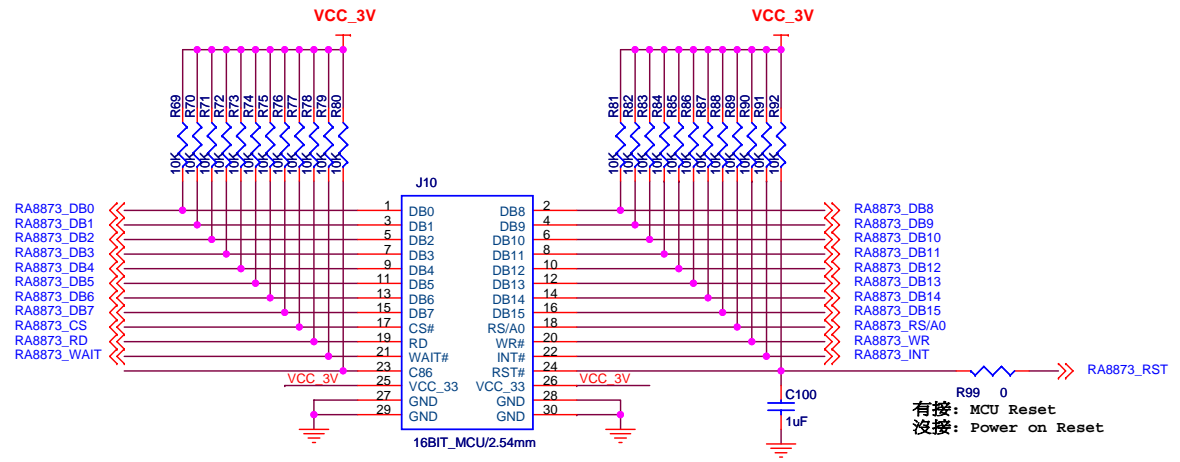
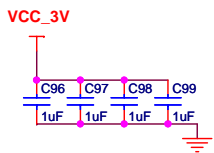


RA8873_B_Demo Board		
Size A	Document Number	Rev A
	06_RA8873_LCD_HV	
Date:	Wednesday, April 06, 2016	Sheet 6 of 8



上接式 FPC: 0.5mm(0.35mm+0.15mm)

RA8873_B_Demo Board		
Size B	Document Number 07_RA8873_LCD_I/F	Rev A
Date: Wednesday, April 06, 2016	Sheet 7	of 8



[P.6/5/4]
 00x : 8080
 01x : 6800
 100 : 3-wire
 101 : 4-wire
 11x : I2C

RA8873_B_Demo Board		
Size B	Document Number 08_RA8873_MCU_I/F	Rev A
Date: Wednesday, April 06, 2016	Sheet 8	of 8